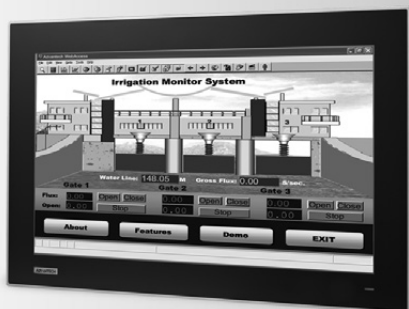


FPM-7181W

18.5" Industrial Monitor with Projected Capacitive Touchscreen, Direct-VGA and DVI Ports

NEW



Features

- 18.5" WXGA TFT LED LCD wide screen display
- Truly-flat touch screen with IP65 compliance
- Slim type design for Panel mount / Wall mount easy installation
- Supports industrial 24V_{DC} power input
- Supports panel, wall, desktop and VESA arm mounting
- OSD control pad on rear panel
- Projected Capacitive Touchscreen, with Multi touch.
- Robust design with SECC chassis and Magnesium alloy front panel
- Lockable I/O connectors

Introduction

With its brand new design, the FPM-7181W provides a new wide screen display size with industrial grade design concept. By truly-flat touch screen, the front bezel meets IP65 testing criteria. FPM-7181W projected capacitive touch can support 4-points touch application. New easy installation design can help you with one person for panel mounting. FPM-7181W monitor with slim enclosure is ideally suited to being either panel or wall mounted.

Specifications

General

- **OSD Controls** OSD control in rear cover
- **Certification** BSMI, CCC, CE, FCC Class A, UL
- **Dimensions (W x H x D)** 488 x 309 x 47.7mm (19.2" x 21.2" x 1.8")
- **Enclosure** Front panel: Die-cast Magnesium alloy
Rear cover: SECC
- **Mounting** Panel, wall, desktop, VESA (MIS,100,C)
- **Power Input** Phoenix Jack: 24 V_{DC} input
DC Jack: external 57 W power adapter, with 100 ~ 240 V_{AC} input and 12 V_{DC} @ 4.75 A output

Note: AC power adapter is included.

- **Power Consumption** 35 W + 20%
- **Video Port** VGA & DVI-D port
- **Weight (Net)** 6kg (13.2lbs)

LCD Display

- **Display Type** WXGA TFT LED LCD
- **Display Size** 18.5"
- **Max. Resolution** 1366 x 768
- **Max. Color** 16.2 M
- **Viewing Angle (H/V°)** 170/160
- **Luminance (cd/m²)** 300
- **Backlight Life (hrs)** 50,000
- **Contrast Ratio** 1000:1

Touchscreen

- **Type** Projected capacitive touch
- **Interface** RS-232 and USB
- **Light Transmission** Above 75%
- **OS Support** Windows XP, Vista, 7, XPe, CE and Linux
- **Multi Touch** 4 points, USB interface in Win 7.
- **Hardness** >6H

Environment

- **Operation Temperature** 0 ~ 50°C (32 ~ 122°F)
- **Storage Temperature** -20 ~ 60°C (-4 ~ 140°F)
- **Humidity (Storage)** 10 ~ 90% non-condensing
- **Waterproof** Front panel is IP65 compliant
- **Vibration** 5 ~ 500 Hz, 1 Grms (Operating, Random)

Ordering Information

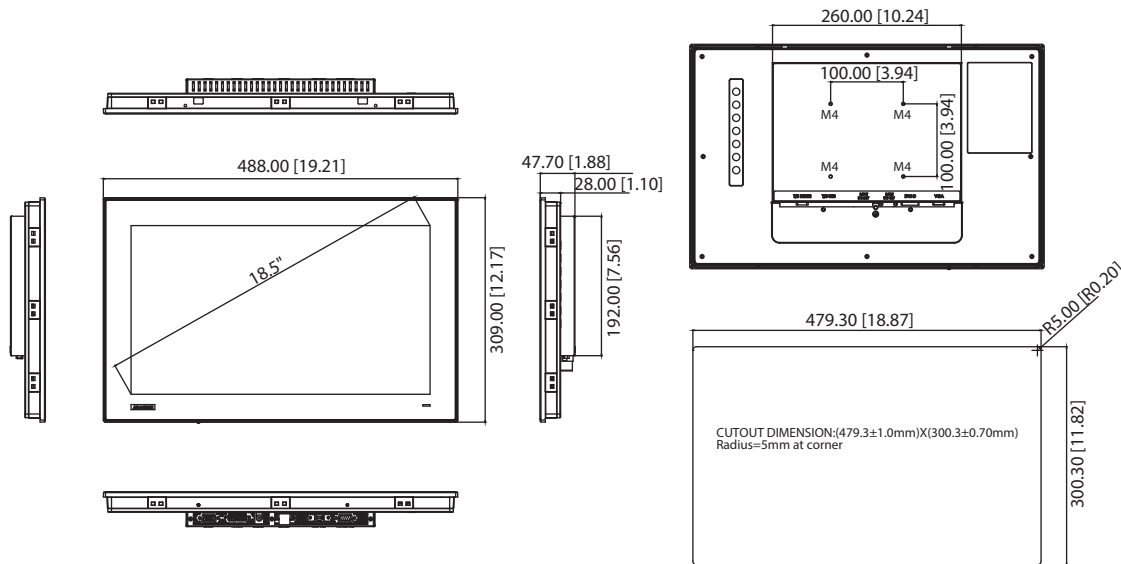
- **FPM-7181W-P3AE** 18.5" WXGA Ind Monitor w/PCT TS (RS-232, USB)

Accessories

- **PWR-246E** Ind. DC to DC w/24-48 V_{DC} 1.4-2.9A In 12 V_{DC} 5A Out
- **1702002600** Power Cable US Plug 1.8 M
- **1702002605** Power Cable EU Plug 1.8 M
- **1702031801** Power Cable UK Plug 1.8 M
- **1702031836** Power Cable China/Australia Plug 1.8 M
- **FPM-7181W-SMKE** FPM-7181W Mounting kit for desktop & wall

Dimensions

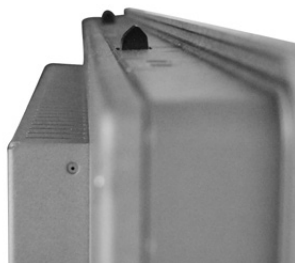
Unit: [mm]



Panel Cut-out Dimensions: 479 mm X 300 mm

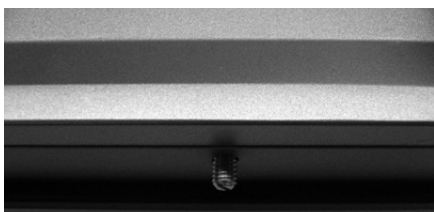
Easy Installation

Snap hook in rear cover



Screw to set up the snap hook out of upper side

Stopper Screw in rear cover



Screw for the stopper screw out of down side

Rear View

