

TPC-31T TPC-61T

3.5" / 5.7" QVGA TFT LCD TI AM3517 Touch Panel Computer

NEW



Features

- TI AM3517 processor on board
- 3.5" / 5.7" QVGA TFT LCD
- Super slim and compact design with plastic housing
- Fanless cooling system
- NEMA4/IP65 compliant front panel
- Built-in micro SD card with Windows® CE OS
- 1 x SD card slot
- Automatic data flow control RS-485

Introduction

The TPC-31T/61T model is a compact platform without redundant functions, and has been designed for small-sized operator interface applications. It has a 3.5" / 5.7" TFT LCD display which is a cost effective choice for a limited budget. Its RISC kernel, the TI AM3517 processor consumes minimum power without sacrificing performance. The TPC-61T has a 10/100Base-T Ethernet port offering solid communication ability and comes bundled with a Windows® CE OS that supports Thin-Client solutions. The built-in Windows CE OS platform lets the TPC-61T become an Open HMI solution for system integration.

Specifications

General

- **Certifications** BSMI, CCC, CE, FCC, UL
- **Cooling System** Fanless design
- **Dimensions (W x H x D)** TPC-31T: 120.79 x 85.5 x 26.5 mm
(4.76" x 3.37" x 1.04")
TPC-61T: 195 x 148 x 44.4 mm
(7.68" x 5.83" x 1.75")
- **Enclosure** ABS
- **Mounting** Panel
- **OS Support** Windows CE 6.0 (English Version)
- **Power Consumption** 8 W / 12 W (typical)
- **Power Input** 18 ~ 32 V_{DC}
- **Watchdog Timer** Programmable as 250 ms, 500 ms, 1 second
- **Weight (Net)** 0.25 kg (0.55 lbs)/0.8 kg (1.76 lb)

System Hardware

- **CPU** TI AM3517
- **Memory** DDR2 256MB on board
- **LAN** 10/100Base-T x 1
- **Storage** 512MB on board micro SD card
1 x SD Card slot
1MB FRAM for Data back-up (optional)
- **I/O** TPC-31T: RS-232/RS-485 X1 with auto data flow control, USB 2.0(Host) x 1
TPC-61T: RS-232 x 2 (COM1,2)/RS-422/RS-485 x1 (COM 3) with auto data flow control, USB2.0 (Host) x 1, USB2.0 (Client) x 1

LCD Display

- **Display Type** QVGA TFT LCD
- **Display Size** 3.5" / 5.7"
- **Max. Resolution** 320 x 240
- **Max. Colors** 64 K
- **Luminance cd/m²** 200 / 800
- **Viewing Angle (H/V)** 120/110; 160/140
- **Backlight Life** 30000 / 50000hrs
- **Contrast Ratio** 300:1 / 800:1

Touchscreen

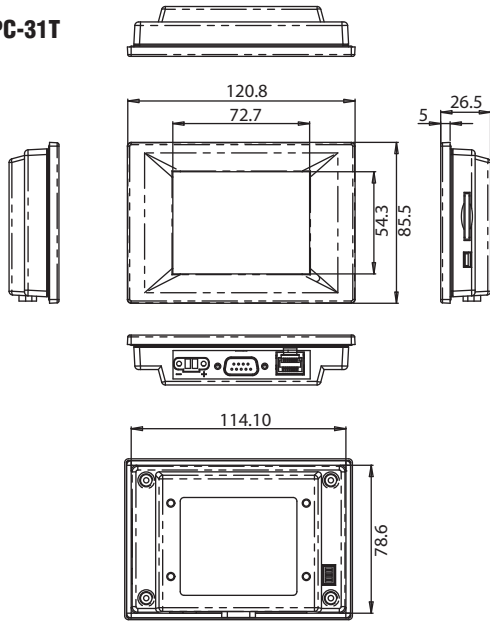
- **Lifespan** 1 million times with an 8mm diameter finger of silicone rubber
- **Light** Transmission Above 80%
- **Resolution** Linearity
- **Type** 4-wire, analog resistive

Environment

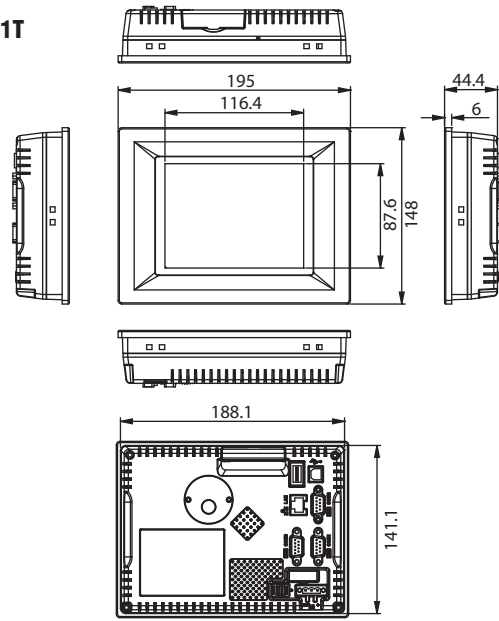
- **Humidity** 10 ~ 95% RH @ 40°C, non-condensing
- **Ingress Protection** Front panel: NEMA4, IP65
- **Operating Temperature** 0 ~ 50°C (32 ~ 122°F)
- **Storage Temperature** -20 ~ 60°C (-4 ~ 140°F)
- **Vibration Protection** 1 Grms (5 ~ 500 Hz)

Dimensions

TPC-31T



TPC-61T



Unit: mm

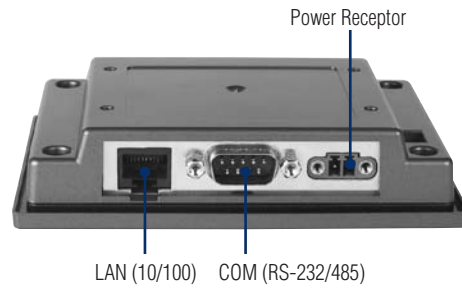
Panel Cut-out Dimensions: TPC-31T: 115 x 79.5 mm
 TPC-61T: 189 x 142 mm

Ordering Information

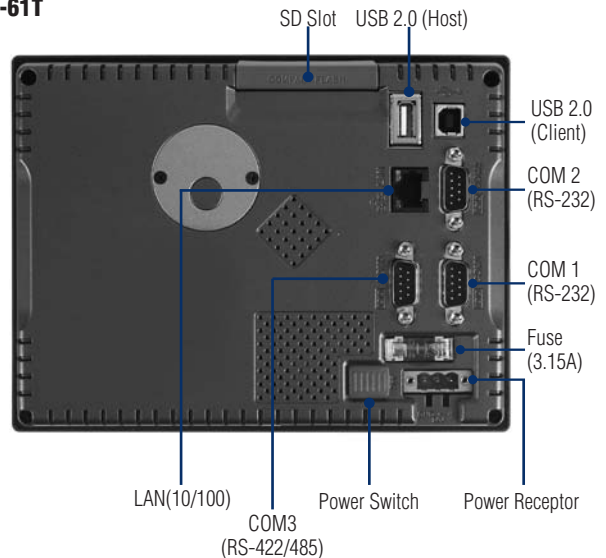
- **TPC-31T-E3AE** 3.5" QVGA Touch Panel PC, TI AM3517 600 MHz, 256 MB
- **TPC-61T-E3AE** 5.7" QVGA Touch Panel PC TI AM3517 600 MHz, 256 MB
- **PWR-247-AE** 24 V 50 W AC-DC Power Adapter

Rear View

TPC-31T



TPC-61T



- 1 WebAccess Solution
- 2 Machine Automation
- 3 Hazardous Location Solutions
- 4 Substation Automation Gateways & RTUs
- 5 Building Automation Systems
- 6 Automation Software
- 7 Intelligent Operator Panels
- 8 **Automation Panel PCs**
- 9 Industrial Monitors
- 10 Industrial Ethernet Solutions
- 11 Serial Device Servers and IP Gateways
- 12 Serial Communication Cards
- 13 Embedded Automation Computers
- 14 Programmable Automation Controllers
- 15 M2M I/O Modules
- 16 FEMTO Controller
- 17 RS-485 I/O Modules
- 18 Ethernet I/O Modules